

FOCALPOINT HC-NJDEP PERFORMANCE SPECIFICATION:

HIGH PERFORMANCE MEDIA

- HIGH PERFORMANCE MEDIA MUST BE NJDEP CERTIFIED FOR 80% TSS @ THE TESTED HYDRAULIC LOADING RATE (GPM/SF).

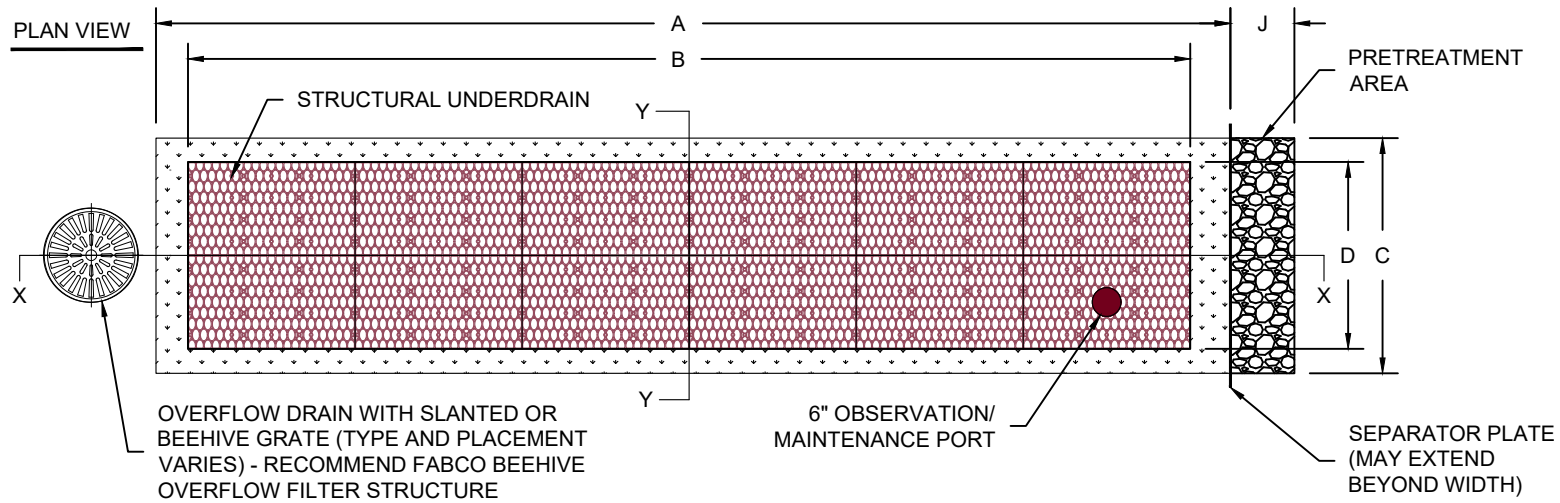
HIGH PERFORMANCE STRUCTURAL UNDERDRAIN

- MUST HAVE A MINIMUM OF 19 SQUARE INCHES OF ORIFICE OPENING PER SQUARE FOOT.
- MUST MEET HS-20 LOADING REQUIREMENTS.
- MUST BE MODULAR IN NATURE AND ASSEMBLED ON SITE.
- MUST HAVE MINIMUM 90% INTERIOR VOID SPACE.

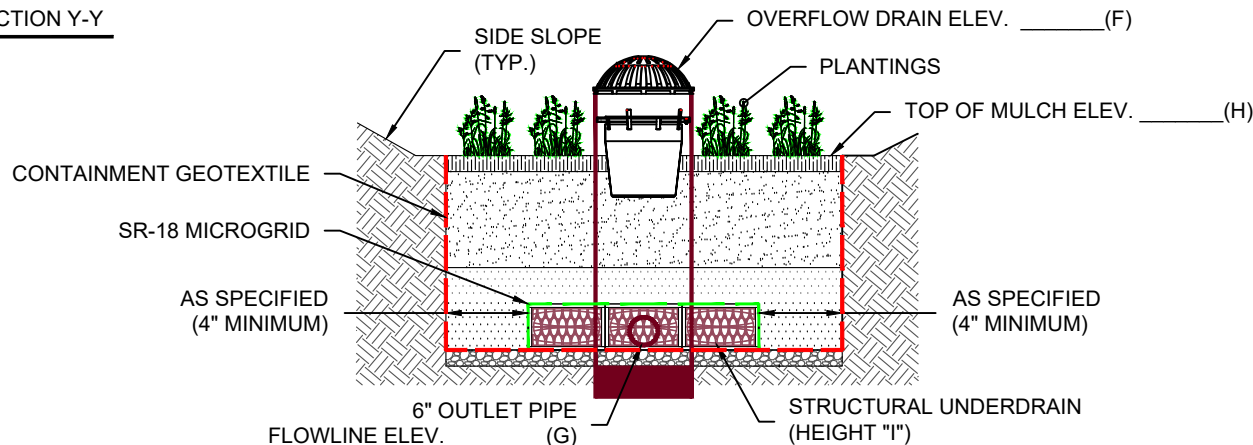
PLANT COMPONENT

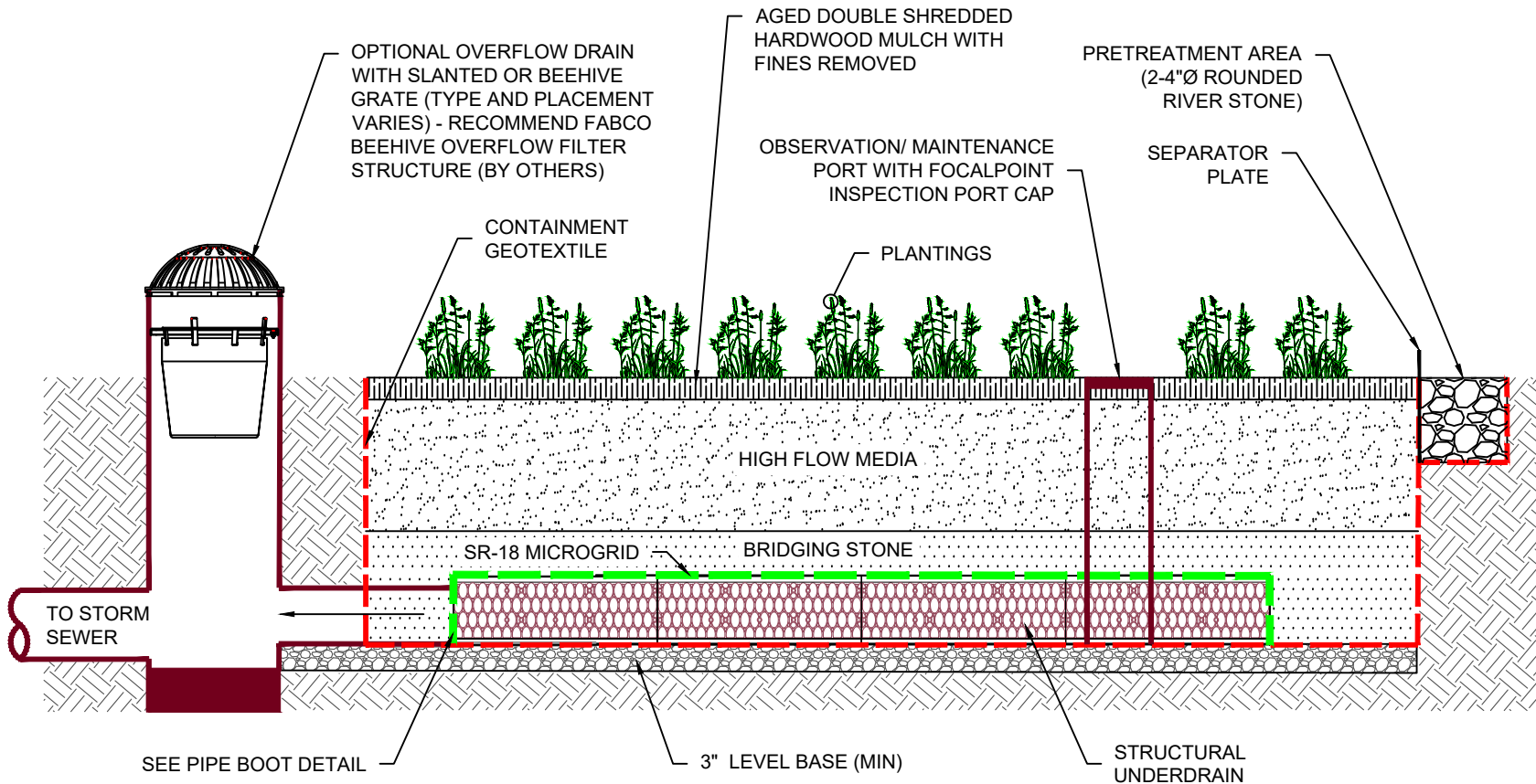
- SUPPLIER SHALL PROVIDE LIST OF ACCEPTABLE PLANTS
- IF PLANTS ARE NOT INCLUDED IN THE LANDSCAPE CONTRACT/PLANS, SITE CONTRACTOR SHALL PROVIDE PLANTS.
- PLANTS SHALL BE INSTALLED AT THE TIME THE SYSTEM IS COMMISSIONED FOR USE. PLANTING OUTSIDE THIS TIME REQUIRES APPROVAL BY THE ENGINEER/LANDSCAPE ARCHITECT OF RECORD.
- SEE FOCALPOINT INSTALLATION GUIDE FOR PLANT SPACING, PLANTING PROCEDURES ETC.

FOCALPOINT HC-NJDEP CONSTRUCTION GUIDE		
A	FOCALPOINT LENGTH	
B	# UNDERDRAIN LONG	
C	FOCALPOINT/ PRETREATMENT WIDTH	
D	# UNDERDRAIN WIDE	
E	WATER QUALITY VOLUME	
F	OVERFLOW ELEVATION	
G	OVERFLOW FLOWLINE	
H	TOP OF MULCH	
I	UNDERDRAIN HEIGHT	
J	PRETREATMENT LENGTH	



SECTION Y-Y

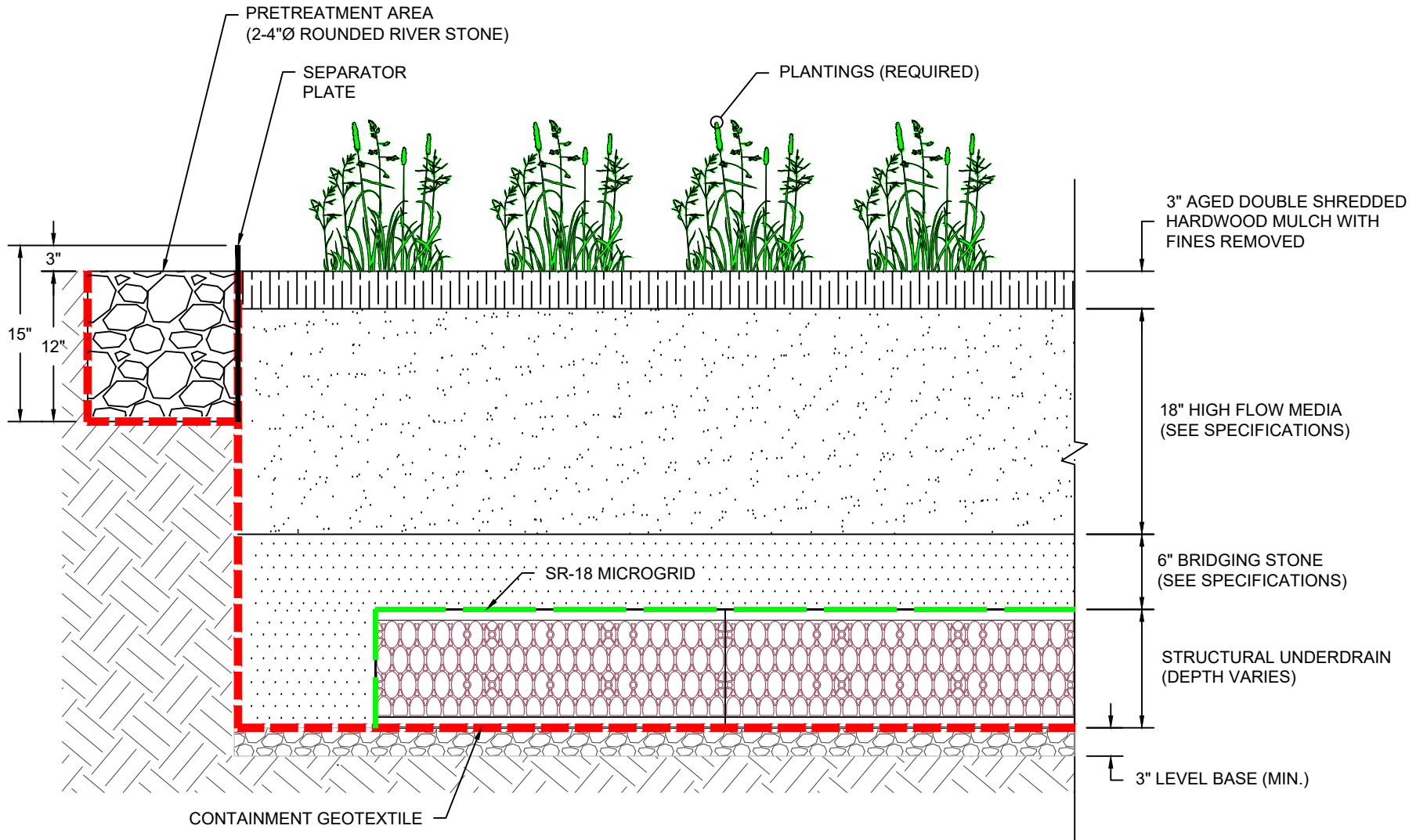




SECTION X-X

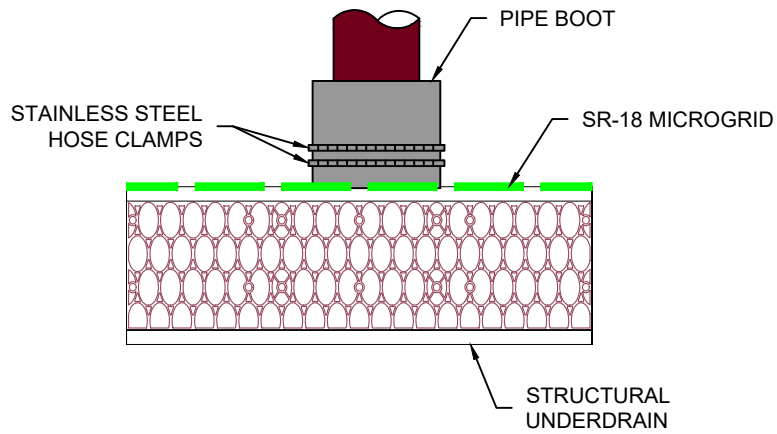
**FOCALPOINT HC-NJDEP
 SECTION X-X**

DETAILED CROSS SECTION

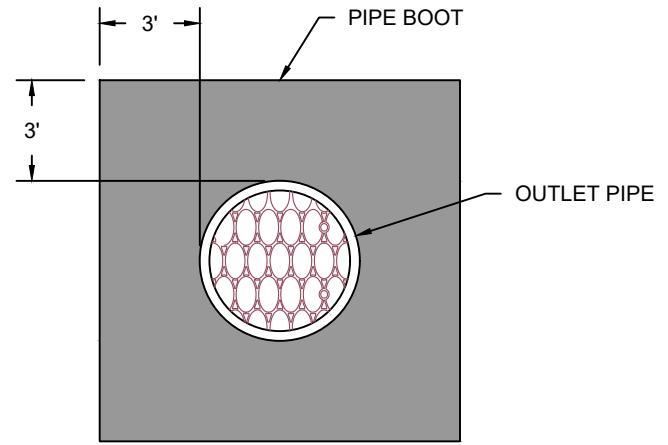


**FOCALPOINT HC-NJDEP
DETAILED CROSS SECTION**

OBSERVATION/ MAINTENANCE PORT CONNECTION

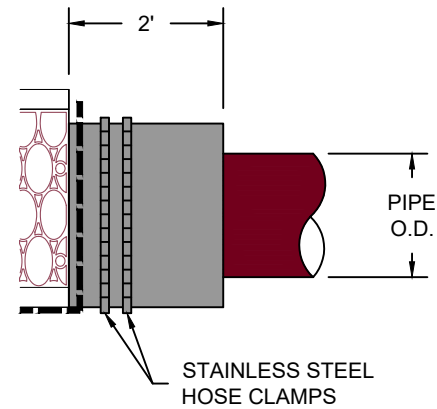
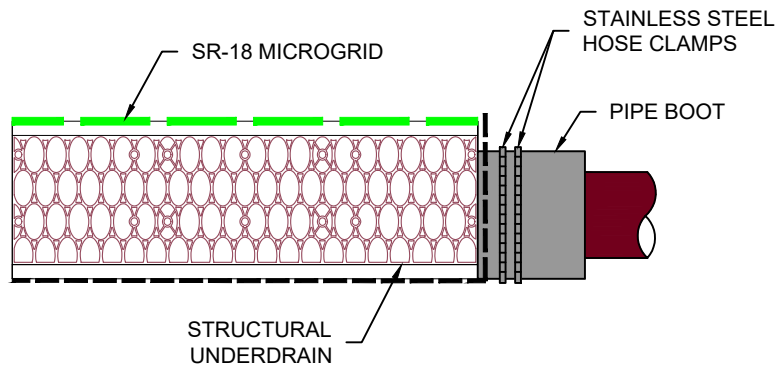


PIPE BOOT DETAIL



FRONT VIEW

OUTLET/ INLET PIPE CONNECTION

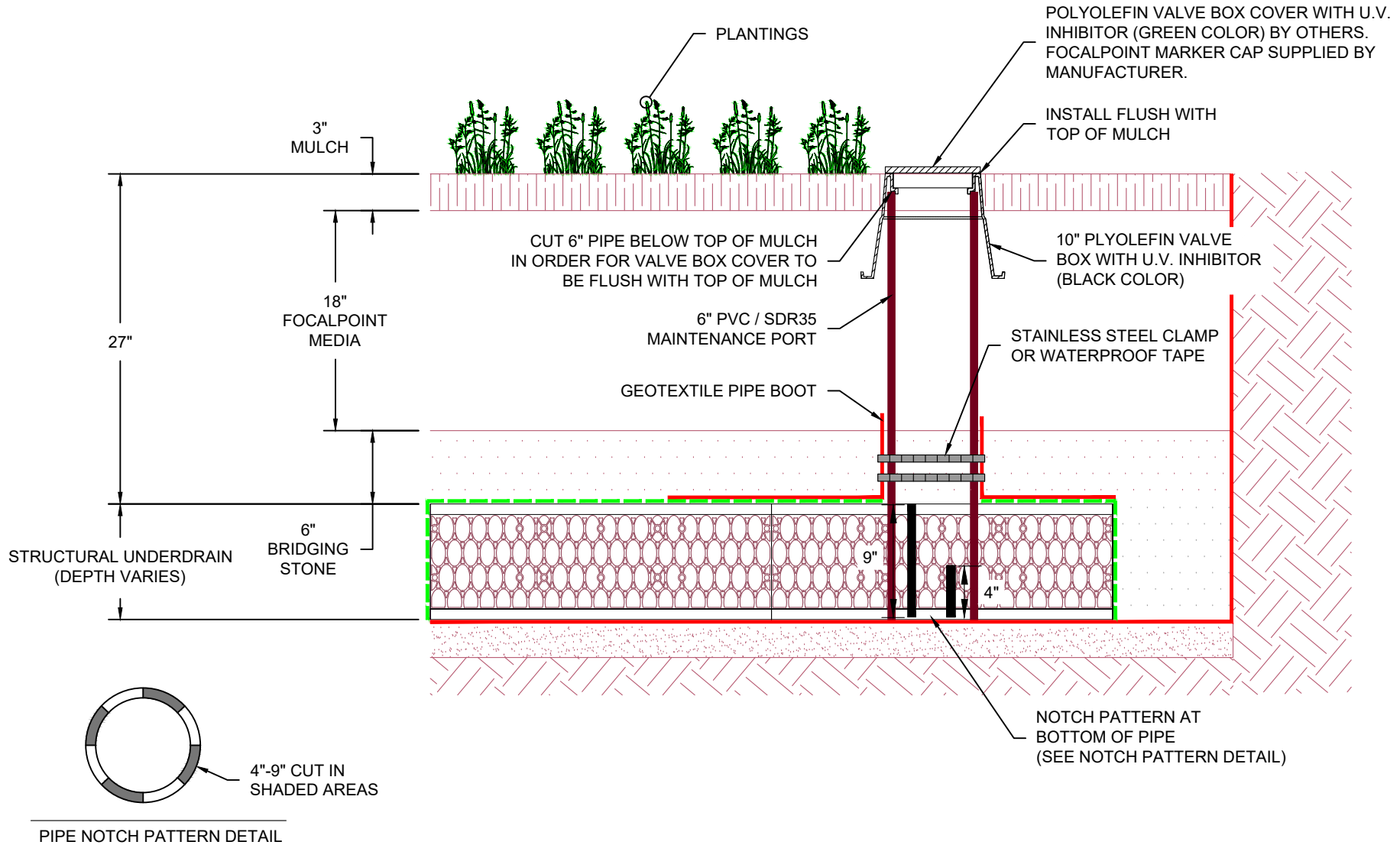


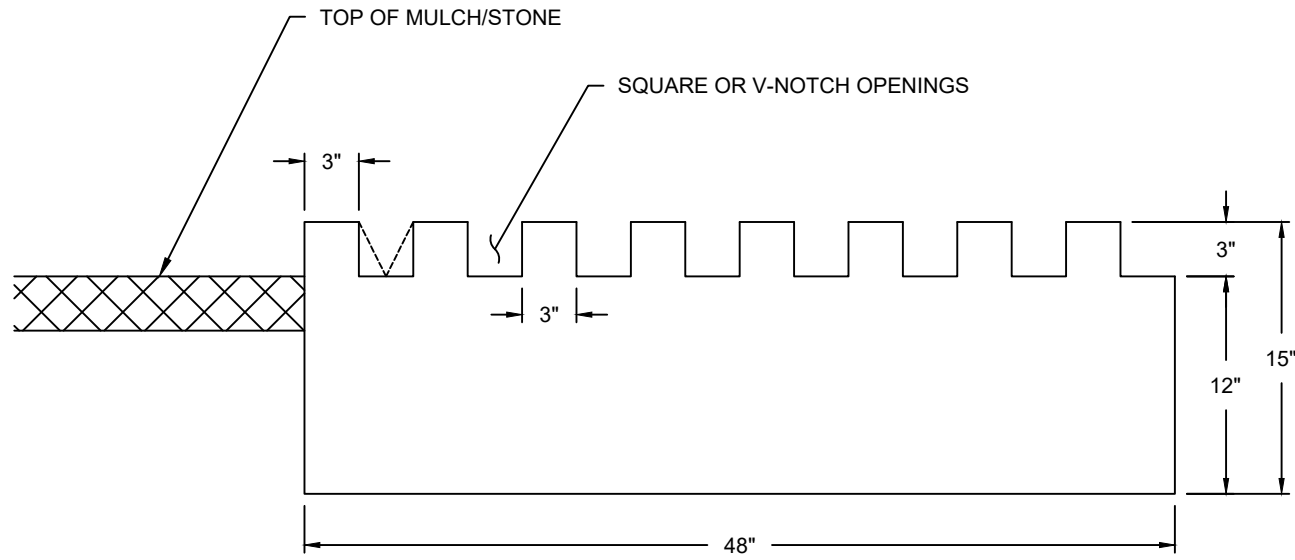
SIDE VIEW

**FOCALPOINT HC-NJDEP
PIPE CONNECTION**

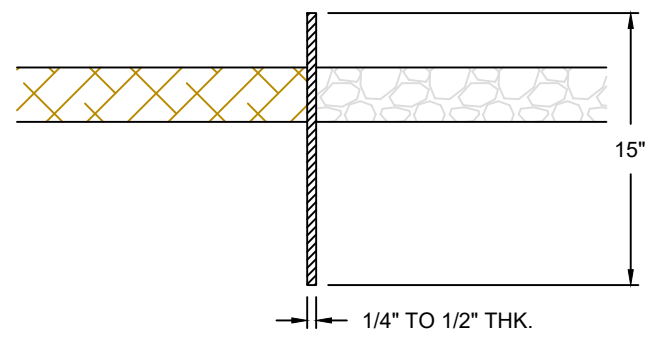
OBSERVATION/ MAINTENANCE PORT

PORT USED FOR INSPECTION PURPOSES AND FOR SYSTEM MAINTENANCE AS REQUIRED. WATER SHALL BE PUMPED INTO THE SYSTEM AND RESUSPEND ACCUMULATED SEDIMENT. MINIMUM REQUIRED MAINTENANCE INCLUDES A QUARTERLY INSPECTION FOR THE FIRST YEAR OF OPERATION AND A YEARLY INSPECTION THEREAFTER FLUSH AS NEEDED.



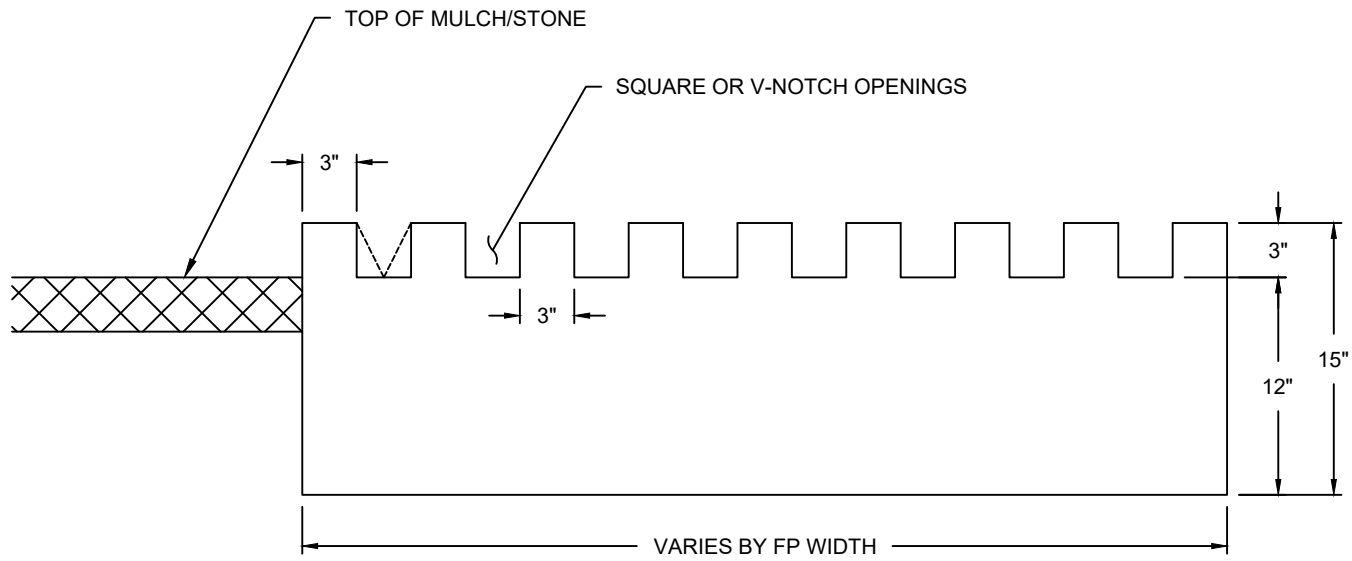


SECTION

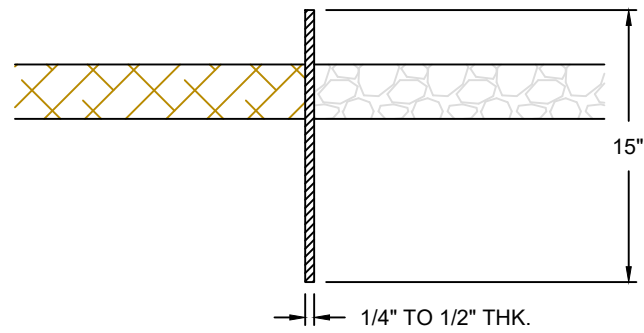


PROFILE

**FOCALPOINT HC-NJDEP
 SEPARATOR PLATE DETAIL**



SECTION



PROFILE

**FOCALPOINT HPMBS
 SEPARATOR PLATE DETAIL**